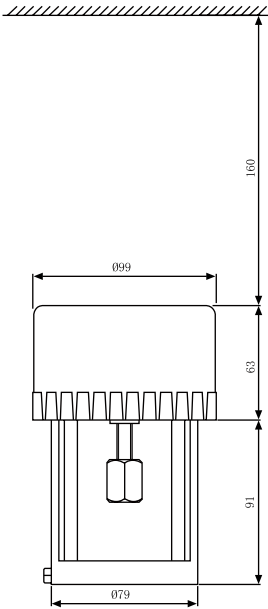


EVAM(O) series of Electric Control Actuators

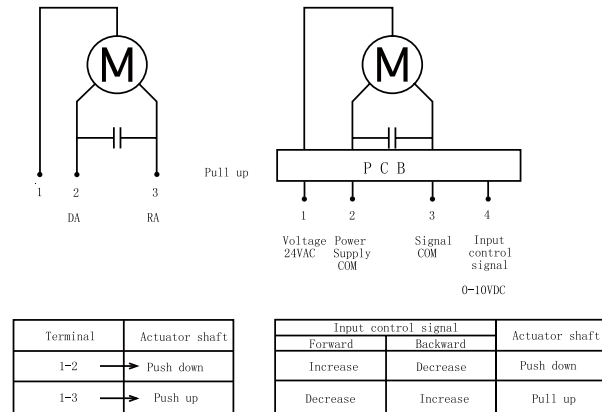
Mounting position is upright to horizontal. It is recommended that the valve be mounted in the upright position in accessible location.

EVAM62-05

Size and Connection



Typical wiring diagram



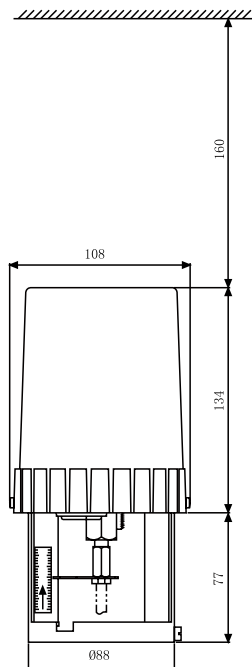
EVAO typical wiring diagram

EVAM typical wiring diagram

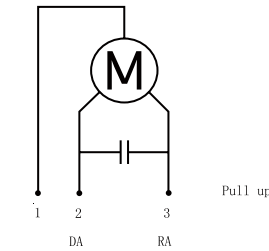
Product Application Reference Dimensions (mm)

EVAM(O)62-10

Size and Connection

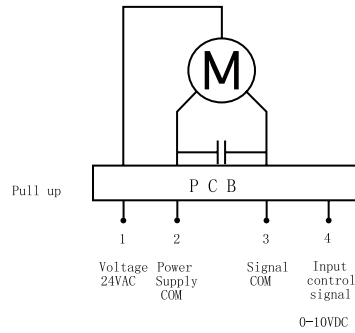


Typical wiring diagram



Terminal	Actuator shaft
1-2	→ Push down
1-3	→ Push up

EVAO typical wiring diagram

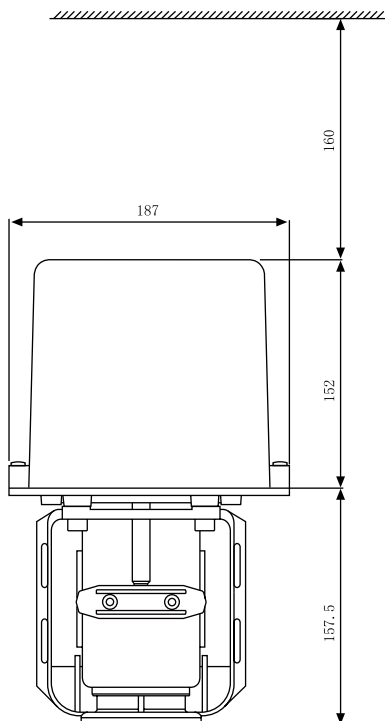


Input control signal		Actuator shaft
Forward	Backward	
Increase	Decrease	Push down
Decrease	Increase	Pull up

EVAM typical wiring diagram

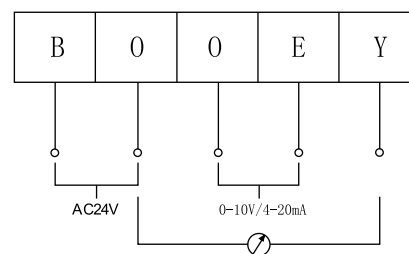
EVAM(O)62-18/30

Size and Connection



Typical wiring diagram

EVAM62-18/30



Feedback output 0-10V

EVAO62-18/30

