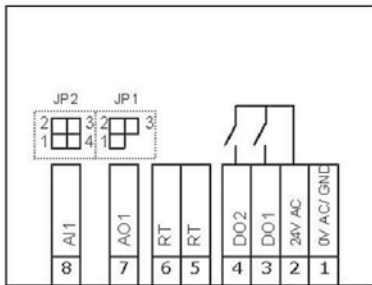


### ETC2017

#### Connection terminals



AI1, JP2	
0-10V DC	1-4
0-5V DC	3-4
0-20 mA	2-3

AO1, JP1	
0-10V DC	1-2
0-20 mA	2-3

#### Legend:

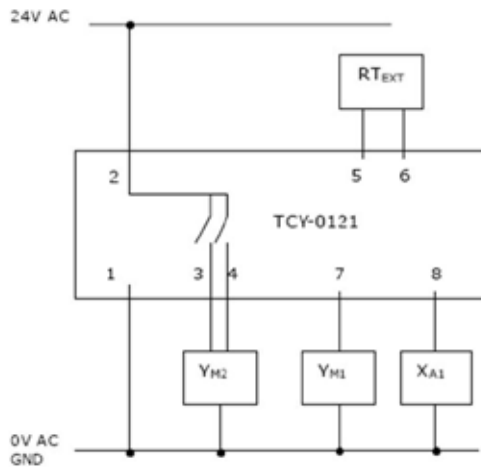
1. Power Supply 0V AC, Analog Input, Output Ground
2. Power Supply 24V AC
3. Digital Output 1
4. Digital Output 2
5. Temperature sensor NTC
6. Temperature sensor NTC
7. Analog Output 1: 0...10V or 0...20Ma
8. Analog Input 1: 0...10V, 0...5V or 0...20mA

For active sensor

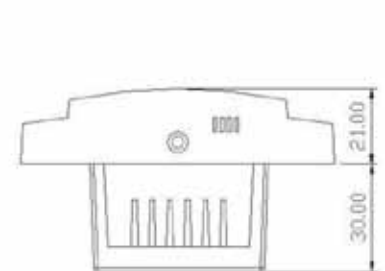
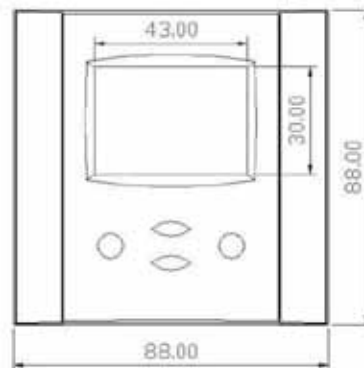
Note: Dip switch for internal or external sensor can be adjusted on the back of controller

The switch for internal / external temperature setting is located on the back of the operation terminal.

#### Connection Diagram



#### Dimensions



#### Legend:

- RT<sub>EXT</sub> External temperature sensor
- X<sub>A1</sub> Analog Sensor 1: DC 0..5V, 0...10V or 0...20mA
- Y<sub>M1</sub> Actuator 1: DC 0...10V or 0...20mA
- Y<sub>H2</sub> Actuator 2: AC 24V max.1A