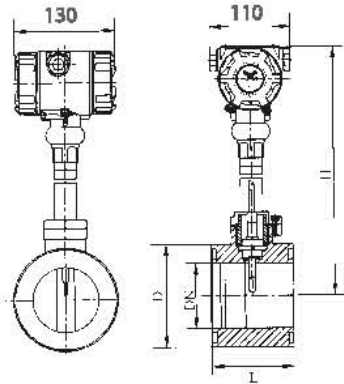


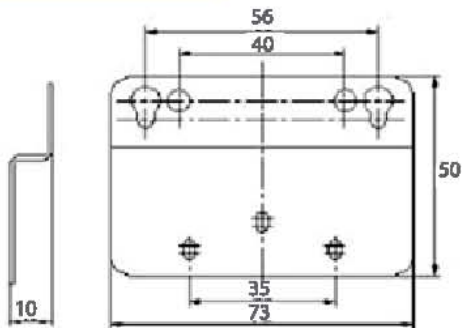
EPFT15-W Water Pipe Flow Transmitter

Dimension



EDPS series Differential Pressure Switch

Bracket dimension



Overall size

