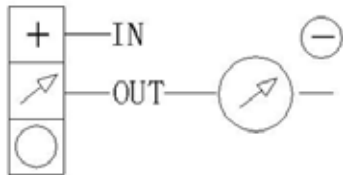


Product Application Reference Dimensions (mm)

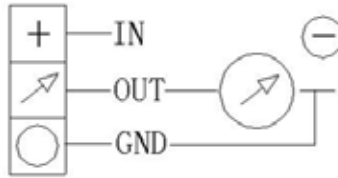
EMPT29 Micro-differential Pressure Transmitter

Wiring illumination

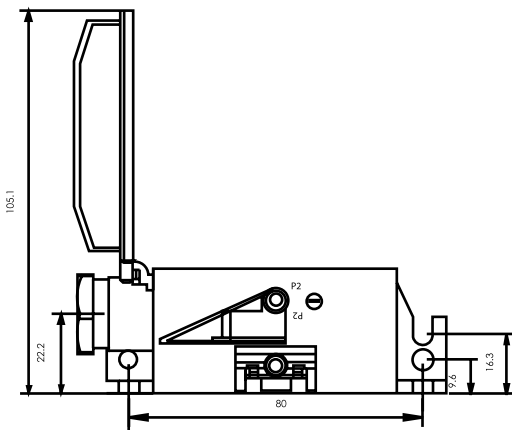
Two wire



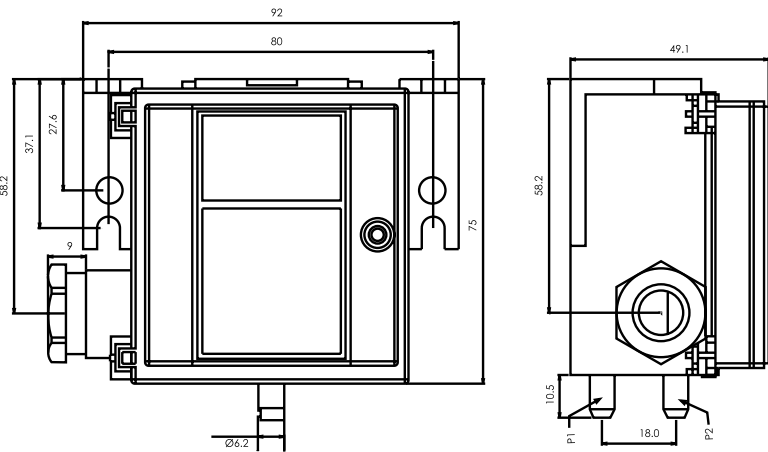
Three wire



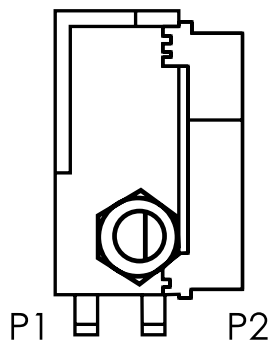
Dimensions (mm)



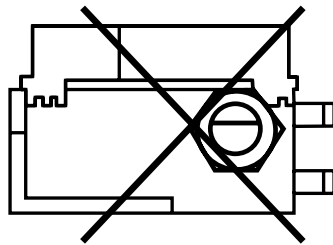
Dimensions (mm)



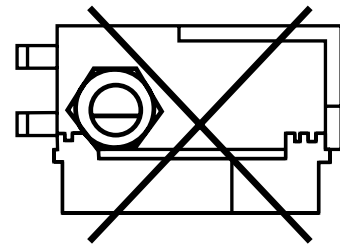
Location instruction



Correct



Incorrect



Incorrect