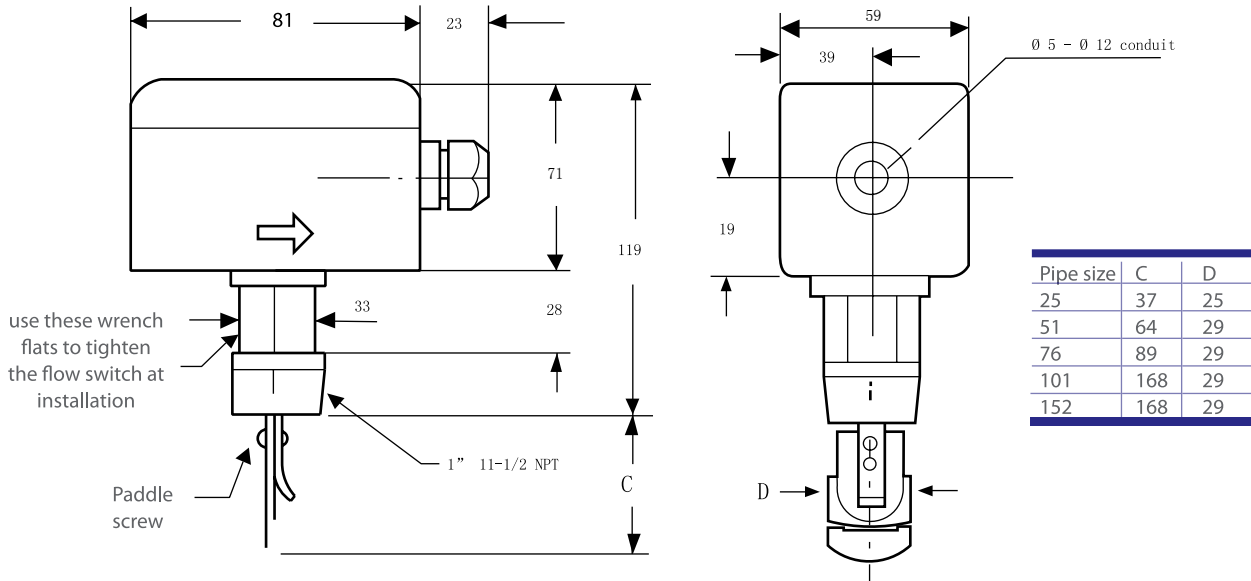


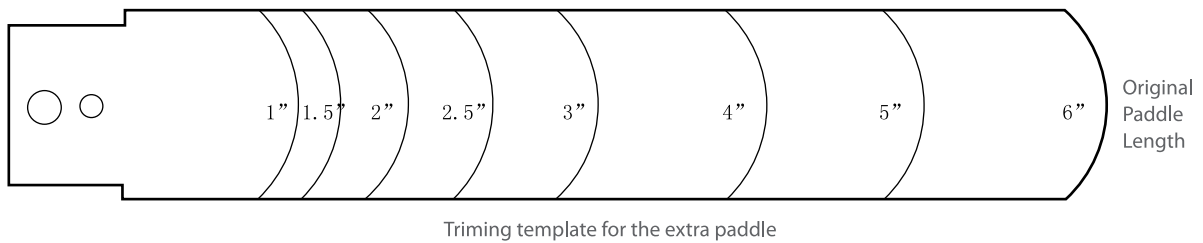
## Product Application Reference Dimensions (mm)

### EFS22 Flow Switch

#### Dimensions



#### Paddle adjustment



#### Mounting

