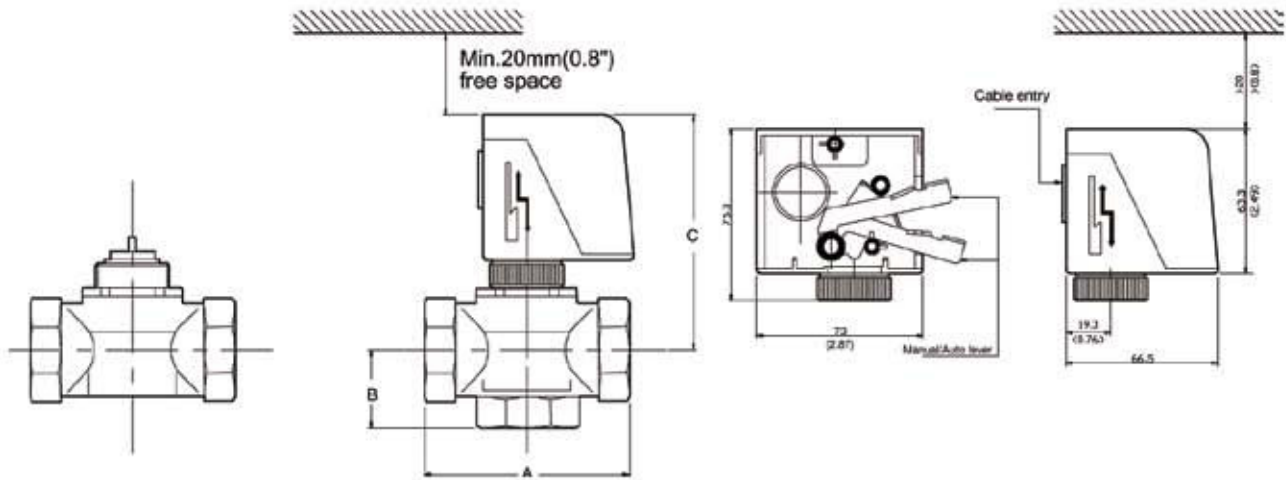


## EFAV57 Fan Coil Valves and Actuators



Kv selection diagram in SI units

Cv selection diagram in US units

Size (mm)	2-way			3-way		
	15 (1/2")	20 (3/4")	25 (1")	15 (1/2")	20 (3/4")	25 (1")
<b>A</b>	<b>55</b>	<b>66</b>	<b>90</b>	<b>55</b>	<b>66</b>	<b>90</b>
<b>B</b>	<b>15</b>	<b>19</b>	<b>24</b>	<b>29</b>	<b>33.5</b>	<b>37.5</b>
<b>C</b>	<b>98</b>	<b>102</b>	<b>106</b>	<b>98</b>	<b>102</b>	<b>106</b>

### Valve structure

