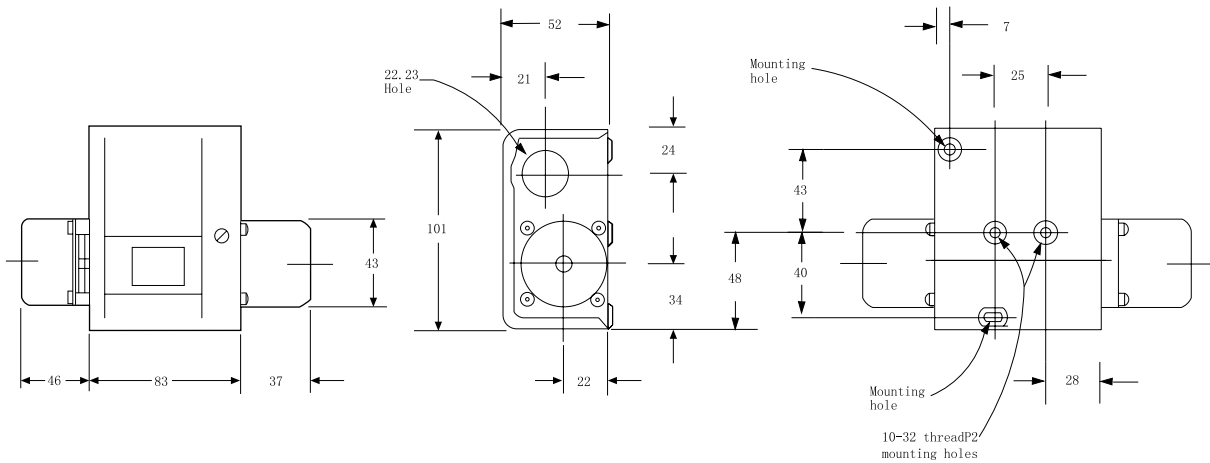
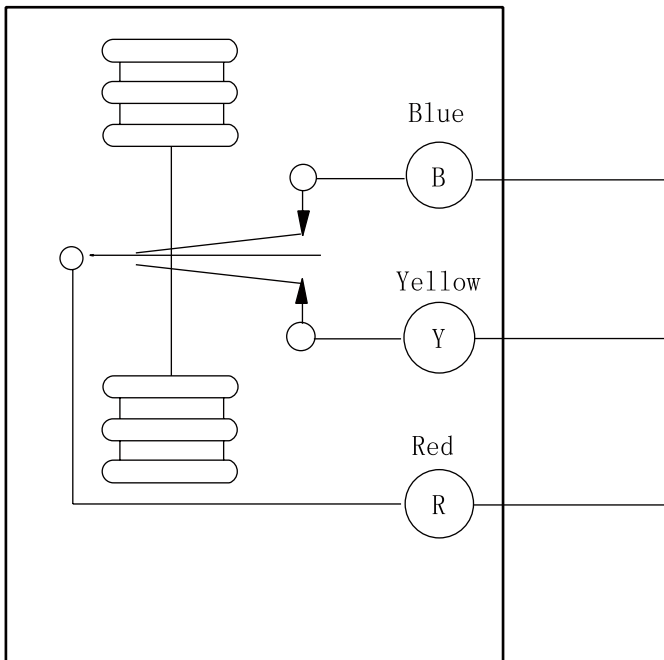


EDPS2018 Differential Pressure Controller

Overall dimensions



Wiring diagram



On Decrease in Pressure Differential, floating contact arm makes common RED (R) to Blue (B) Terminal
 On Increase in Pressure Differential, floating contact arm makes common RED (R) to Yellow(Y) Terminal